

Reliance UFH Heat Pump System Control Pack



A compact prefabricated non thermostatic kit designed to provide a quick and easy way of connecting the circulating pump, flow and return connections onto a UFH manifold.

Designed to be used in heat pump or other low temperature systems that do not require a thermostatic control valve. The kit includes a four-way connector, a connecting elbow, an ERP rated 7.5 metre circulating pump, and a flow manifold connection tee piece which includes a ½” FBSP tapping that can be used for reading temperatures and pressures or as a connection point for the UFH Overheat Thermostat.

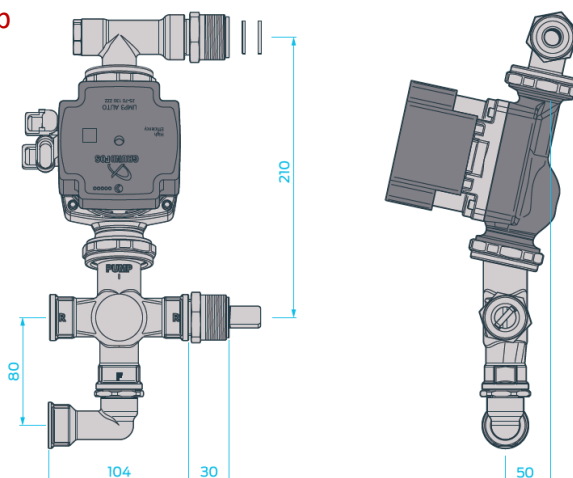
Features:

- 7.5 metre pump, ERP rated with easy to use plug in cable connection
- Designed for left or right hand connection
- Designed for side or bottom connection of the flow and return pipes
- The angled flange on the pump connection keeps the flow and return pipes on the same level

Benefits:

- Reduces installation complexity
- Saves installation time
- Gives the option of adding a thermostatic “Thermoguard” valve if system temperatures are changed and a thermostatic valve is needed
- Allows maximum flexibility in the installation design
- Grundfoss UPM3 Flex AS pump

Technical Specification	
Maximum temperature	90oC
Maximum pressure	6 bar
Maximum flow rate	32 lpm
Body	Nickel plated brass
Pump seals	EPDM
Internal seals	Viton
Connectors	Nickel plated brass



Stock Code	Product Name	Size
UFHC960001	Reliance UFH Heat Pump System Control Pack	¾” inlets – 1” outlets