

Reliance Thermoguard UFH Pump Set



A compact prefabricated pack designed to thermostatically control the temperature of water within an underfloor heating system. The kit includes the thermostatic mixing valve, an ERP rated 7 metre circulating pump, and a flow manifold connection tee piece which includes a ½" FBSP tapping that can be used for reading temperatures and pressures or as a connection point for the UFH Overheat Thermostat

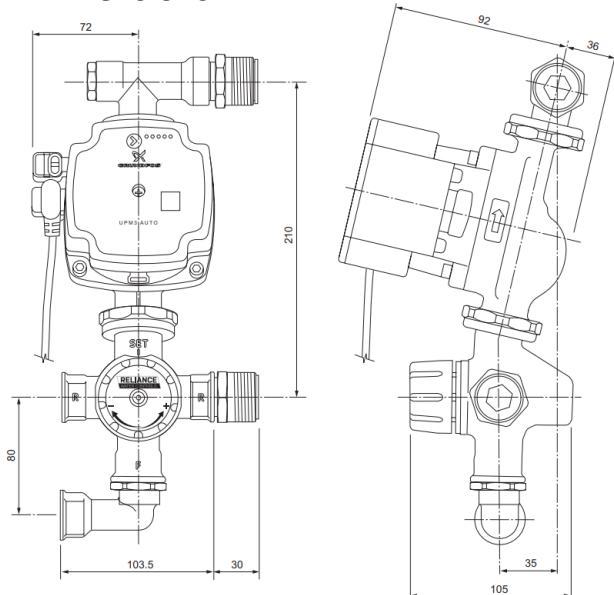
- The thermostatic unit gives excellent temperature stability particularly when return temperatures and mixed water temperatures are close to equal
- The system is designed to be fully flexible and can be fitted on either left or right sides of the manifold, with the return at top or bottom
- The mixing valve will function down to 25°C to ensure that initial warm-up and commissioning can be correctly carried out
- The side profile of the valve is reduced to allow easy fitting of the pack inside cabinets
- Features a temperature range from 25°C up to 60°C to cater for all types of floor constructions

Materials

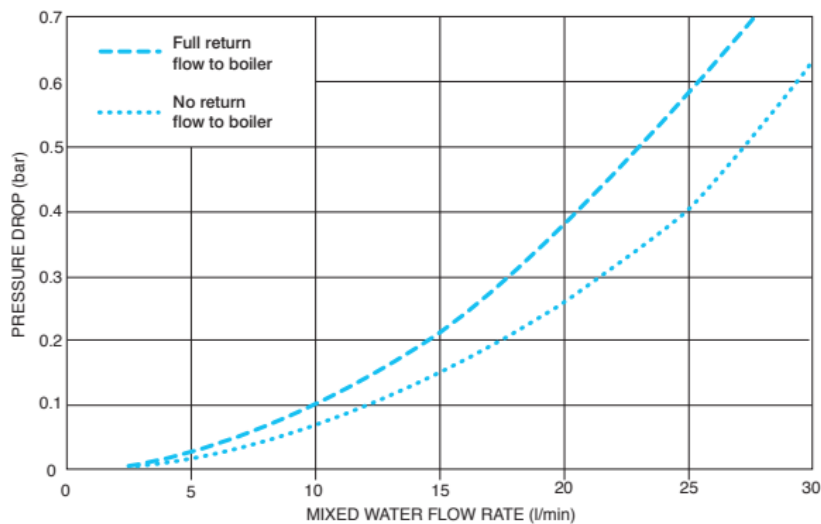
Body:
Seals:
O-Rings:
Spring:
Machined brass parts:
Piston:

Gunmetal
Fibre
Viton
Stainless Steel
DZR Brass
Acudel

Dimensions



Flow Rates



Technical Specification

Hot temperature supply range	60°C – 85°C
Adjustable temperature range	25°C – 60°C
Maximum supply pressure	6 bar
Factory set temperature range	45°C + / -2°C
Temperature stability	+ / -2C
Connections	Mixing valve inlets ¾" FBSP Manifold connections 1" MBSP

Stock Code	Product Name	Inlet / Outlet
UFHC970360	Reliance Thermoguard UFH Pump Set	¾" FBSP x 1" MBSP