

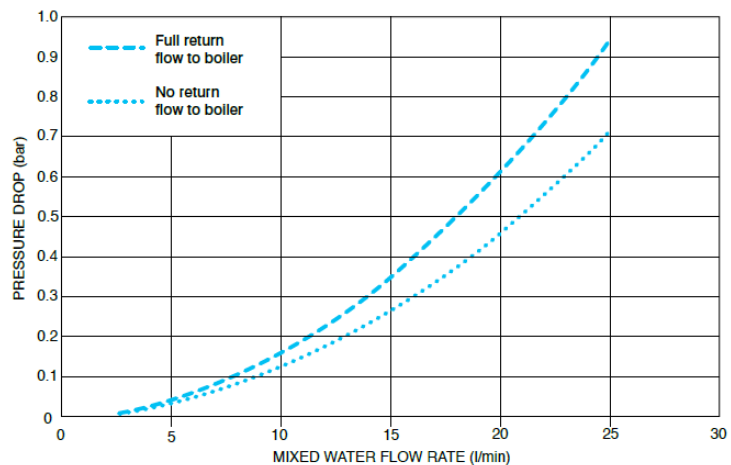
## Reliance A Rated Single Room Pump Set – UFHC980352



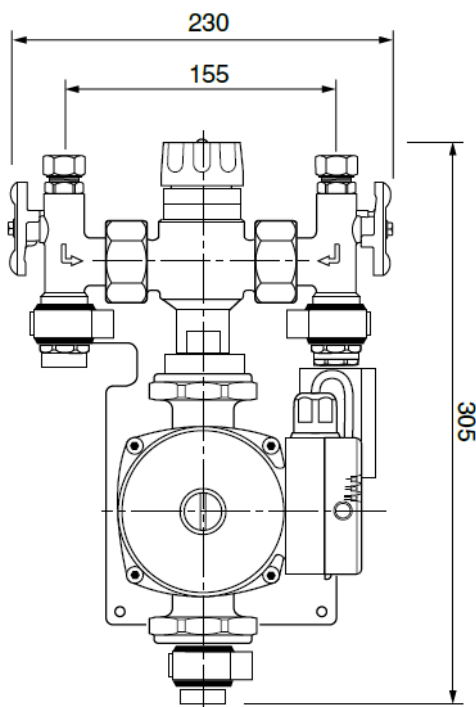
A modular control pack for underfloor heating systems. Designed to be lightweight and compact in order to connect directly onto pipework without the need for extra brackets or support. The control pack consists of a mixing valve, circulating pump, isolating valves, flow and return connections and fixing kit. Ideal for small areas like kitchens, bathrooms and conservatories.

- 'A' Rated Pump
- Compact bolt on unit providing quick and simple installation
- Easy set up within the adjustable range of 35°C to 65°C
- Controls flow temperature to +/- 2°C even with changing boiler flow and return temperatures

### Flow Rates



### Dimensions



Technical Specification	
Hot temperature supply range	60°C – 85°C
Adjustable temperature range	35°C – 60°C
Maximum supply pressure	10 bar
Factory set temperature range	45°C + / -2°C
Temperature stability	+ / -2C
Connections	Mixing valve inlets 15mm Manifold connections 1/2" FBSP

Stock Code	Product Name	Inlet / Outlet
UFHC980352	Reliance A Rated Single Room Pump Set	Mixing valve inlets 15mm Manifold connections 1/2" FBSP